

KIT00072
AIRCRAFT SINGLE CABLE W/ ADJUSTABLE LOCK
& TOGGLE KIT (2)

Title: **KIT00072**

ERP# IIS00147

Date: 12/13/2023

WARNINGS

Electric shock:

- Disconnect or turn off power before installing or servicing luminaire.
- All electrical wiring to be completed by a qualified licensed electrician in accordance with local and National/Canadian Electrical Code.
- Ensure supply voltage corresponds with the correct ballast/driver voltage.
- Avoid exposing wiring to metal edges and sharp objects.
- Ensure that the luminaire is properly grounded to prevent electric hazards.

Fire:

- Keep flammable and combustible materials away from the light source and/or lens.
- Use correctly rated supply conductors as indicated by product labeling.

Burn:

- Allow luminaire to cool before handling luminaire.

Personal Injury:

- Wear safety glasses and gloves when handling the luminaire to avoid physical injury.
- Avoid direct eye contact with light source.
- Always support the weight of the luminaire.



Cable with end stop
and toggle plate.
(x2 Pieces)

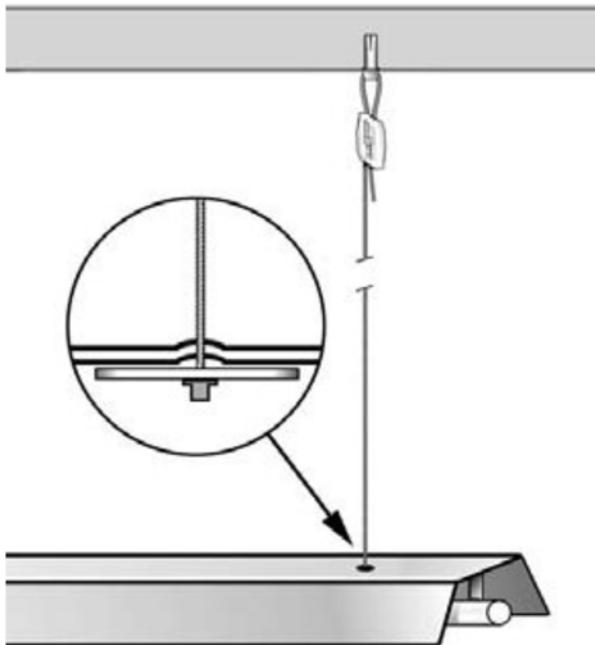


Gripple Fastener
(x2 Pieces)

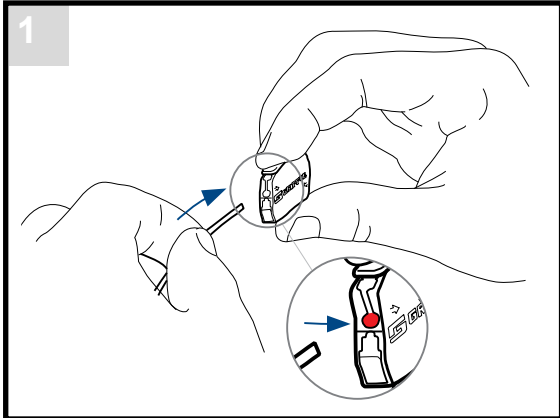
APPLICATION:

Inserts into specific hole diameters of light fixtures
Toggle plate to fit 1/4" hole size.

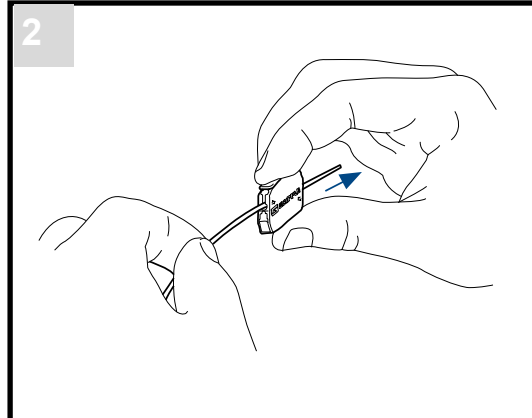
Maximum safe Working Loads: 25lbs



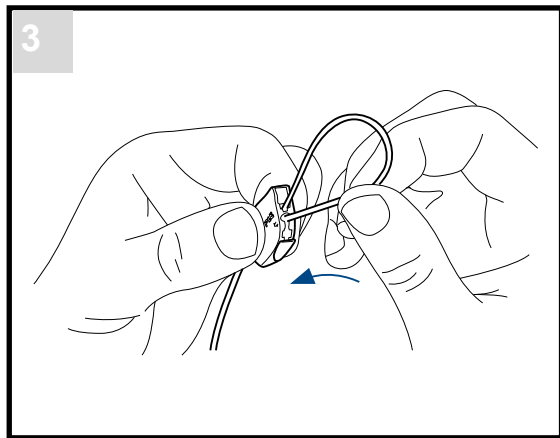
INSTALLATION



Insert the wire rope into the middle hole.

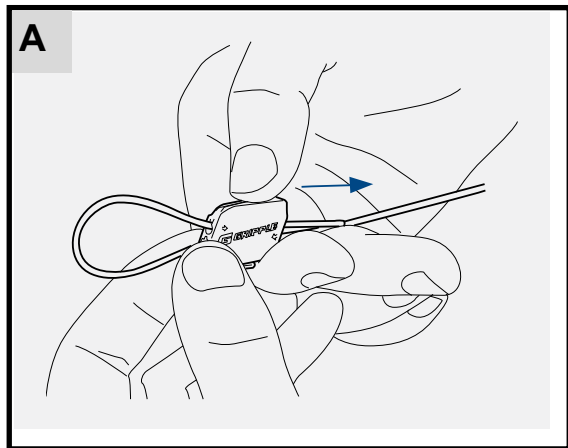


Slide the Gripper fastener along the wire rope and loop around the load you want to suspend.

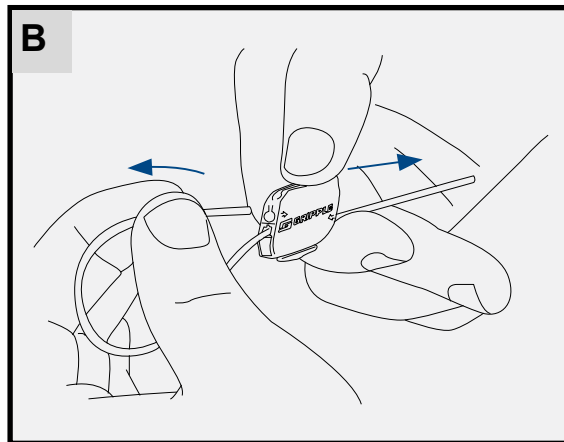


Then, insert the wire rope into the opposite middle hole to pre-form a loop.

ADJUSTMENT



Release the load of the Gripper fastener and push the release button in the same direction of the wire entrance.



While the button is pressed, adjust the wire rope. When desired position is reached, release the button to come back to a working function.

Never try to adjust the gripper fastener while load is applied.