

Title:

**KIT00325**

ERP#

Date: January 2025—Rev 1.0

**WARNINGS**

**Electric shock:**

- Disconnect or turn off power before installing or servicing luminaire.
- All electrical wiring to be completed by a qualified licensed electrician in accordance with local and National/Canadian Electrical Code.
- Ensure supply voltage corresponds with the correct ballast/driver voltage.
- Avoid exposing wiring to metal edges and sharp objects.
- Ensure that the luminaire is properly grounded to prevent electric hazards.

**Fire:**

- Keep flammable and combustible materials away from the light source and/or lens.
- Use correctly rated supply conductors as indicated by product labeling.

**Burn:**

- Allow luminaire to cool before handling luminaire.

**Personal Injury:**

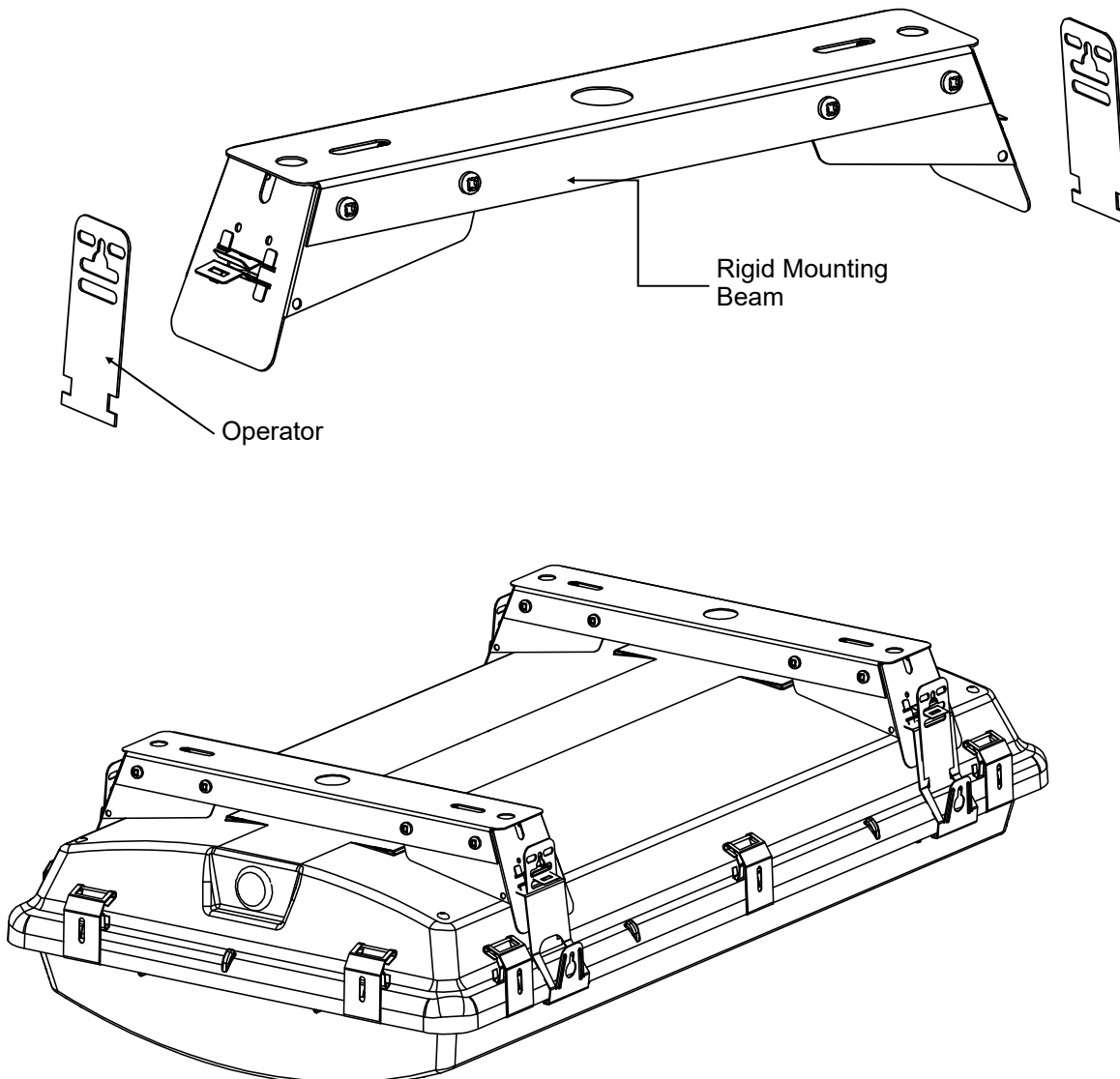
- Wear safety glasses and gloves when handling the luminaire to avoid physical injury.
- Avoid direct eye contact with light source.
- Always support the weight of the luminaire.

**KIT00325**

RIGID MOUNTING BEAM. (set of 2)

Compatible with series model:  
FHBV24 & LHBV24

**NOTE:** KIT is not suitable for 48 inch model



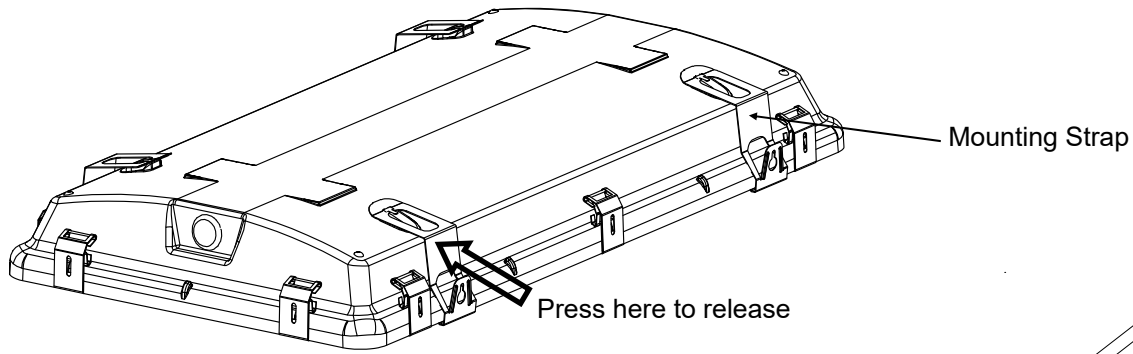
Instructions:

Title:

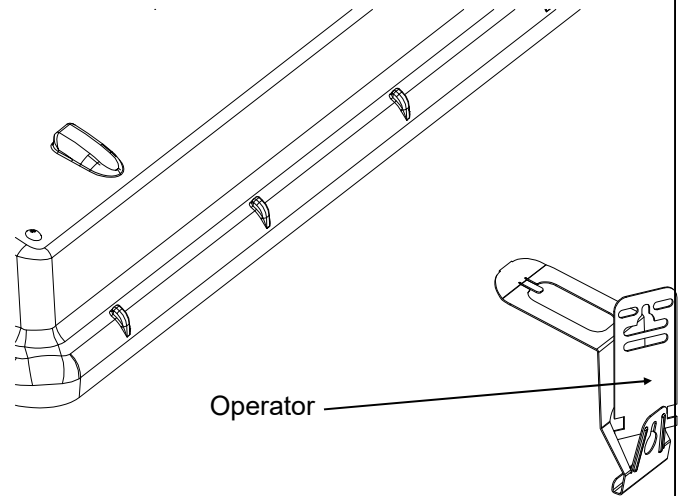
**KIT00325**

ERP#

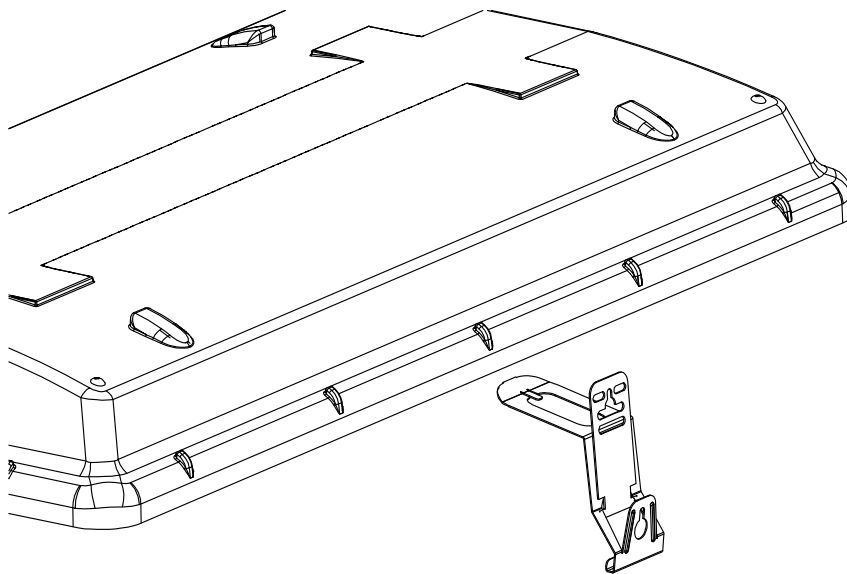
Date: January 2025—Rev 1.0



1. Remove mounting strap from plastic housing by pressing against bracket to release.



2. Twist operator to lock into the mounting strap.



2. Re-install mounting strap with operator and repeat for all other sides.

